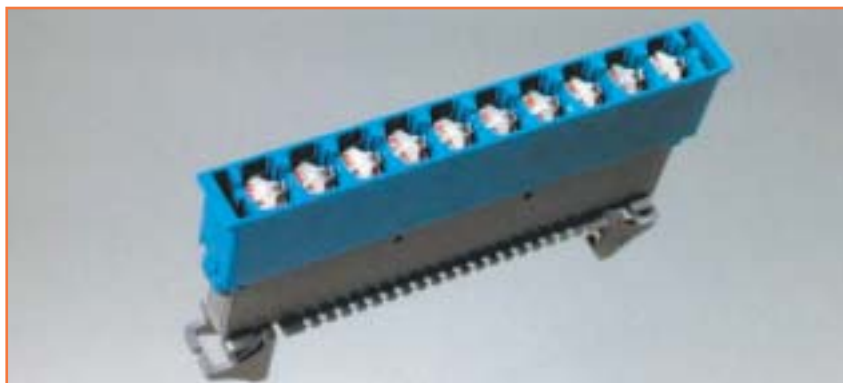


Function:

COMPAX protections are used to protect the lines against lightning, overvoltage, over current and radio-electric disturbances.

Description:

They are composed of protection cartridges of 8 or 10 surge arresters or individual protections connected respectively on S2T and S2TE COMPAX modules.



Protection cartridge



Individual protection

Dimensions:



Characteristics:

Characteristics	
Three-pole surge arrester with fail-safe	2 x 5 kA -250 V or 420 V
Please contact us for different voltage build-up	
In accordance with CCITT K20 specifications	

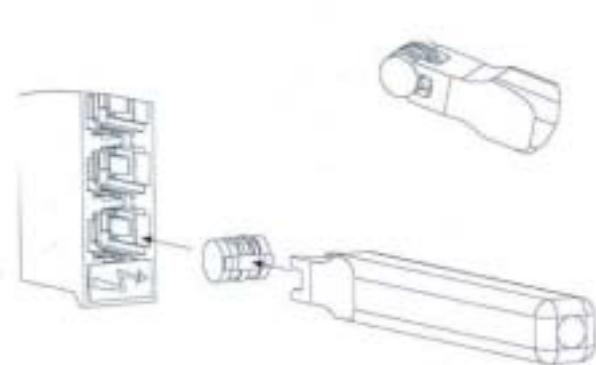
Protection cartridges:

They are equipped with for 8 or 10 three-pole surge arresters protected against excessive heating. The damaged surge arresters can be easily replaced.

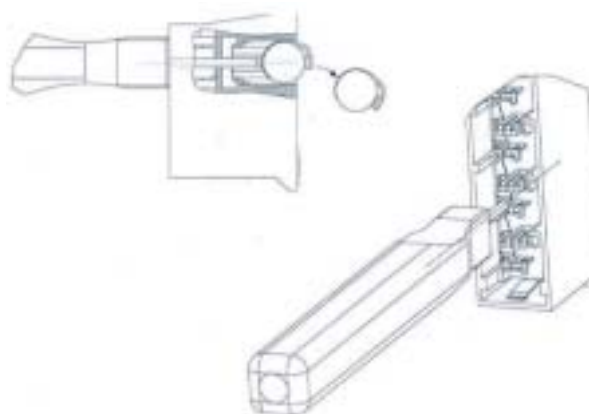
The protection cartridges fit on S2T type terminal blocks and modules with or without disconnection facility (equipped with 2 earthing pins)



Surge arrester replacement:



Surge arrester insertion tool



Surge arrester extraction tool

References:

Description	Part No	Pack.
Protection cartridge equipped 10 C 250 Volts surge arresters with short-circuit	93588	10
Protection cartridge equipped 10 C 420 Volts surge arresters with short-circuit	93800	1
Protection cartridges equipped 10 C 420 Volts surge arresters with short-circuit	93735	10
Protection cartridge equipped 8 C 250 Volts surge arresters with short-circuit	89121	10
Protection cartridge equipped with 8 C 420 Volts surge arresters with short-circuit	89122	10
Empty protection cartridge 10 pairs	93594	10
Empty protection cartridge 8 pairs	89123	10
Spare C 250 Volts surge arrester with short circuit	93592	200
Spare C 420 Volts surge arrester with short-circuit	93733	100
Surge arrester insertion tool	93750	10
Surge arrester extraction tool	93751	10
Earth cylinder for the lines	89133	10

Individual protections:

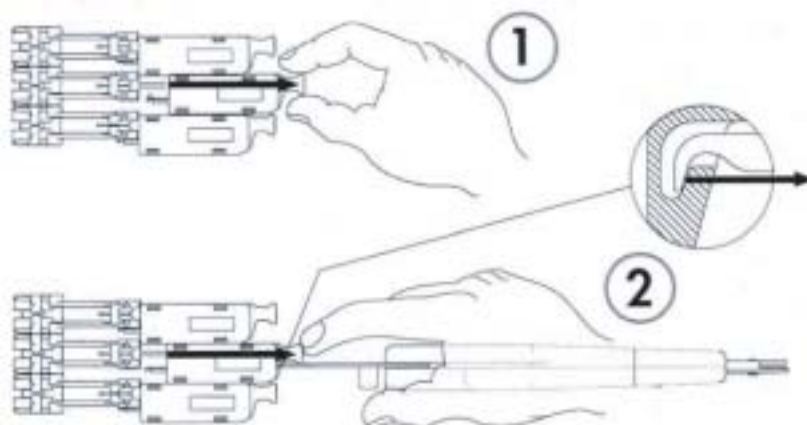
They fit, without unwiring, on the S2TE type COMPAX modules and terminal blocks with disconnection (equipped with 2 earthing pins and screens between pairs), except the PTC protection, that fit on any module with disconnection

facility. They are composed of three-pole gas arresters, protected against excessive heating (arrester with fail-safe), and can also be composed of current limiter (PTC), dissipators and transient disorder (Trisil or Varistor).



Dismantling:

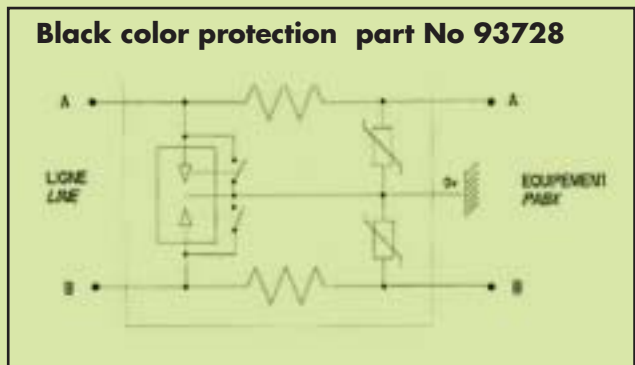
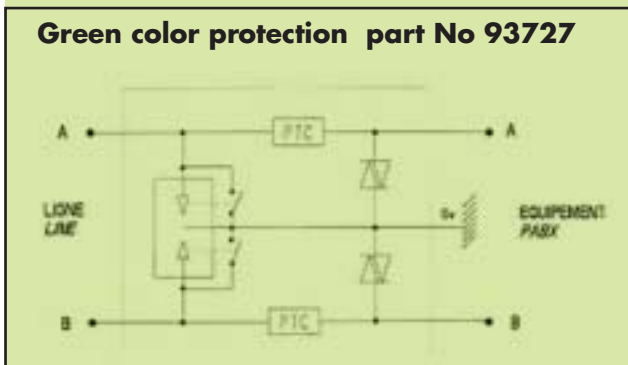
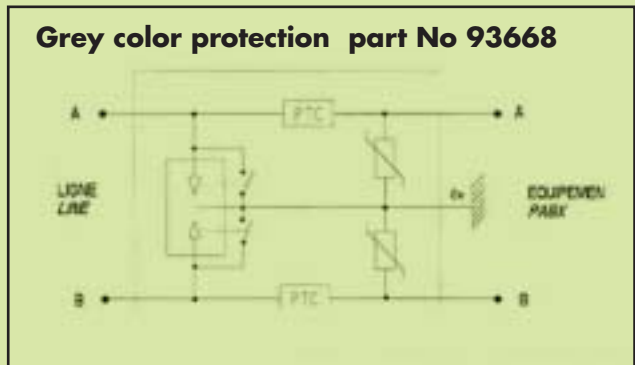
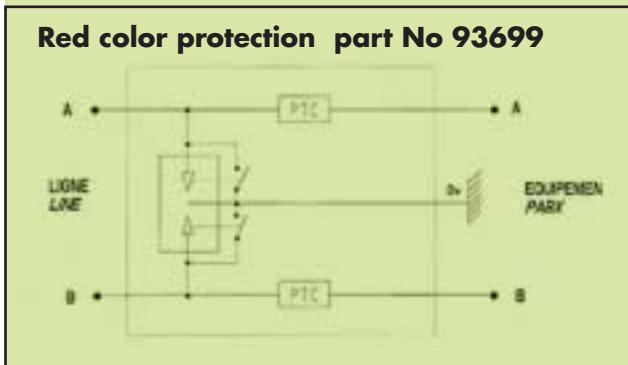
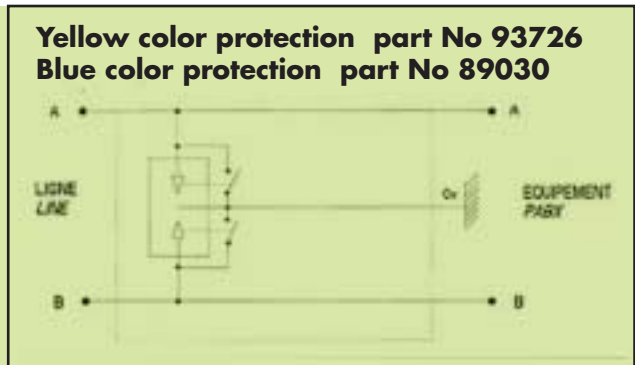
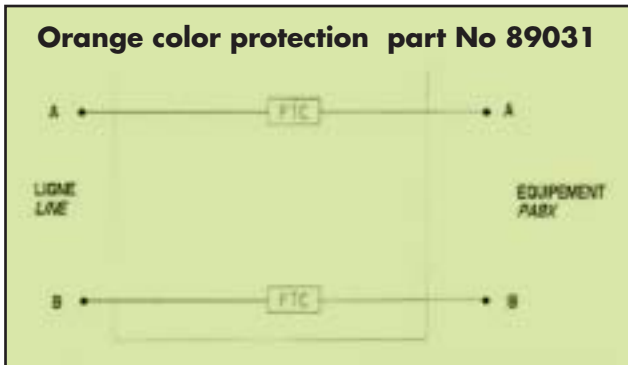
- 1 - Manual dismantling:
When you have enough space to use your fingers between protections.
- 2 - Semi-manual dismantling:
Use the OSA3 extraction tool when you have not enough space between protections.



References:

Description	Part No	Pack.
Individual protections equipped with:		
• 230 Volts surge arrester with short-circuit – Blue	93990	10
• 250 Volts surge arrester with short-circuit – Blue	93726	10
• 420 Volts surge arrester with short-circuit – Blue	89030	10
• 250 Volts surge arrester with short-circuit and PTC – Red	93699	10
• 230 Volts surge arrester with short-circuit and PTC – Red	93993	10
• K20 surge arrester with short-circuit, PTC and Varistor – Grey	93668	10
• 230 Volts surge arrester with short-circuit, PTC and Varistor – Grey	93992	10
• 250 Volts surge arrester with short-circuit, resistor and Varistor – Black	93728	10
• 230 Volts surge arrester with short-circuit, resistor and Varistor – Black	93991	10
• 250 Volts surge arrester with short-circuit, PTC and Trisil – Green	93778	10
• 420 Volts surge arrester with short-circuit, PTC and Trisil – Green	93727	10
• 230 Volts surge arrester with short-circuit, PTC and Trisil – Green	93989	10
• Positive thermal component (PTC) – Orange	89031	10

Electrical schema of individual protections :



Symbol of components which are part of individual protections.

DISSIPATEURS FORTE ENERGIE HIGH POWER DISSIPATORS	LIMITEURS DE COURANT CURRENT LIMITERS	ECRETEURS, DISSIPATEURS ENERGIE TRANSITOIRE VOLTAGE OVER CLAMPERS, TRANSIENT POWER DISSIPATORS
<p>PARASURTENSION AVEC COURT-CIRCUIT ARRESTER WITH SHORT-CIRCUIT</p>	<p>RESISTANCE RESISTOR</p>	<p>VARISTANCE VARIATOR</p>
<p>PARASURTENSION ARRESTER</p>	<p>THERMISTANCE THERMISTOR</p>	<p>BIDDE TRANSIL THYRIST</p>

