

COMPAX Connection modules

- Perfectly suited to the xDSL and to high speeds,
- Breaking and non-breaking module,
- Self-strip contacts for single and multi-strand wires, diameters from 0.32 to 0.80 mm, from 0,4 to 0,6 mm on cable earths connections (for 0.90 mm wire at cable end, please call),
- Connection possible on a given contact of 2 conductors with identical diameters,
- Rear or side cabling with channels,
- Minimum pitch between modules: 16 mm,
- Click fit on flat rail, U rail, or versatile rail
- Connection of the cable earths, \varnothing 0.4 and 0.5 mm, onto an earthing pin (S2T)
- Protection screen between each pair with earthing (S2TE),
- Certification Category 5

Function :

The COMPAX range of connection modules constitutes a complete reliable system for optimising the density of copper networks, from the exchanges to the subscriber's premises.

Description :

The modules are supplied :

- In different colours to facilitate identification,
- In 8 or 10 pairs for connection or disconnection,
- In rear or side cabling with wire guides,
- In 2 height (BM and EZ),
- With or without earthing,
- With or without screening between the pairs.

The modules click onto various supports without distinction (U, flat or versatile rail). A range of accessories and protection devices complete the COMPLEX line.



Module BM



Module EZ

Dimensions :

Description	A	B	C
Module BM without wire guides	135	51	16
Module EZ with 1 wire guide	135	69	17
Module EZ with 2 wire guides	135	69	18

Mounting :

On versatile rail



On flat rail

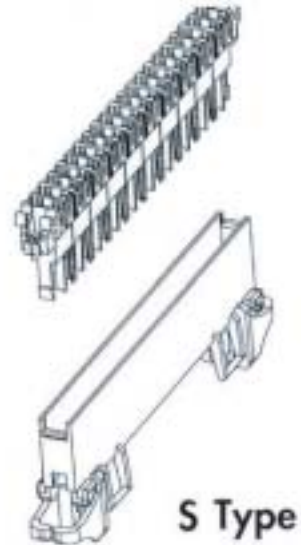


On U rail

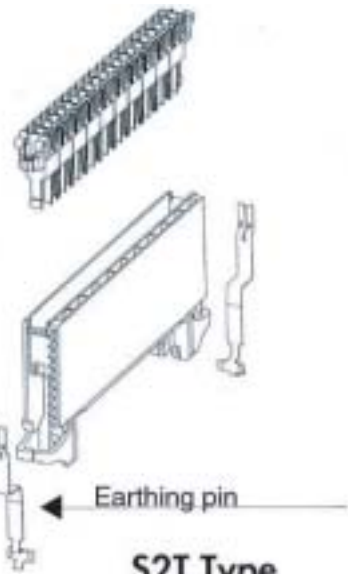


Characteristics :

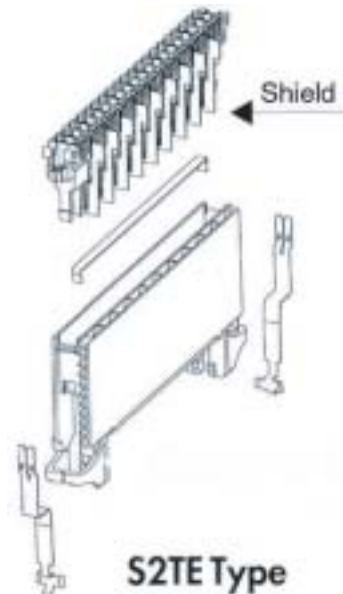
Characteristics	
Through resistance	<5mΩ
Dielectric strength 1000 Veff/50 Hz/ 1 min Impulse at 7,5 kV (1,2/50μs)	No insulation breakdown Isolation resistance > 10 ⁵ MΩ
Current capacity Impulse at 5kA (8/20 μs)	Variation of flow Resistance < 10 mΩ
Crosstalk (Certification category Cat.5)	- 42dB at 100MHz (S, S2T) - 52dB at 100 MHz (S2TE) - 40dB at 300 MHz (S2TE)
Conformity to standards	France telecom S32-20 ISO 11801 EN 50173 NFC 93024



S Type



S2T Type



S2TE Type

References :

CPX

Colour :

- B – Blue
- V – Green
- J – Yellow
- O – Orange
- G – Grey

08 – pairs
10 – pairs

- C – Connection
- D – Disconnection (break)

BM :Low module (without wire-passage channels)

EZ32 (G or D) : High module with wire-passage channels for jumpers at left (G) or at right (D).

EZ32 : High module with wire-passage channels for cable and jumpers

EZ Q 32 : High module with wire-passage channels for quads and jumpers

S : Standard telephony type

S2T : Telephony type with continuation of cable earth and earthing

S2TE : Computer type and high speed datas with continuation of cable earth and screening between pairs.
Continuation of screen for the patch cords.

 nexans

Nexans Interface - France
R & D Centre

Nexans Singapore Pte Ltd
20 Harbour Drive #07-03
PSA Vista Singapore 117612
Tel +65 6317 0101 Fax +65 6317 0103