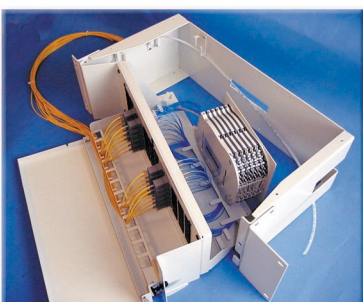
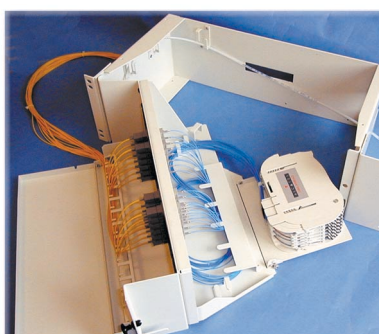


COSH Combined Module

COSH Module with combined splicing-patching function

The patching module of the cable head type is used to organise frontal patching of the optical cords. It is the final transition element to the electronic equipment. The elementary module is available for OPTEASTAR frames (600 mm or 900 mm width). The sub-rack module is designed for standard frames.



Function :

The module with combined splicing-patching function is used to increase the connection density at the level of the distribution frame, by grouping the two functions. The proximity of the two functions also allows the length of the pigtails to be reduced.

Description :

The combining module includes a space reserved for splicing of the incoming tubed fibres. Splicing can be performed with conventional cassettes or a FiberArt™ module. The patching function is in the form of a front panel capable of taking 72 connectors (ETSI), 96 connectors (19"), or 144 connectors (23"). Micro connectors are used to double the capacity (ETSI). The module is compatible with the various formats on the market, namely 19", ETSI and 23".

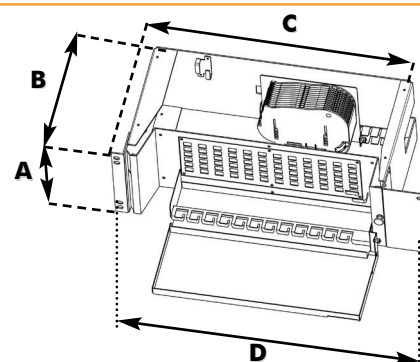
The module is fitted with guide accessories - tubes, pigtails and cords - in order to guarantee conformity with the radii of curvature. The module is composed of:

- A fixed chassis attached to the rack,
- A support for mounting of the FiberArt™ splicing module or of conventional splicing cassettes,
- A front patching panel with a maximum capacity of 144 connectors,
- A front output cord system,
- A frontal protection arrangement for the cords, with horizontal pivoting
- A device for lateral management of the optical jumper harnesses, on option.

The module is of the swivelling type, in order to optimise accessibility while also allowing minimum movement of the optical cords when opening the module. This is used to guarantee a reduced transient loss effect.

Dimensions :

A 4U (19"-23") 148 mm (ETSI)	D 465.10 (19") 566.70 (23")
B 238 mm	515 (ETSI)
C 490 mm (23") 440 mm (ETSI-19")	



Reference system :

A module can be made up and ordered as a single article, using the following reference system :

COSH

Combined module	
E	elementary module
U	sub-rack module

Type of patching panel		
SC	SC/EC/E2000	FC
XX	others	ST

Maximum number of adaptators	
072	optimized module ETSI
096	optimized module 19"
144	optimized module 23"

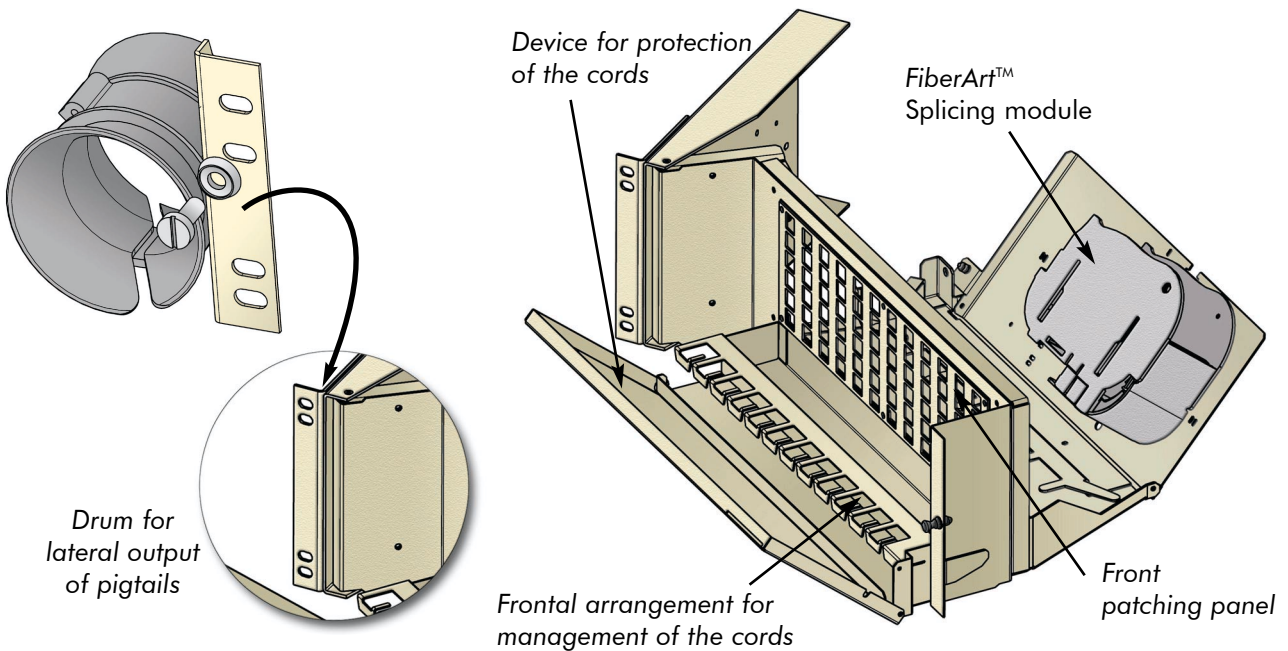
Adaptors types					
0	None	A	SC/APC	B	FC/APC
C	ST/UPC	D	LC/UPC	E	others
F	SC/UPC	G	FC/UPC	H	E 2000

Drum for lateral output of pigtails	
Y	with/compatible 900 mm frame
W	with/compatible 900 mm frame 072 modules 19"
Z	with/compatible 600 Opteostar frame
N	none

Splicing cassettes	
FA1	FiberArt™ (1 level)
FA2	FiberArt™ (2 levels)
K71	Mini-cassettes (ETSI)
K72	Large-cassettes (19", 23")
XXX	None

Format of the cabinet			
Elementary module		Sub-rack module	
EET	72 mod./900 ETSI frame	UET	900 ETSI frame
ESE	Opteostar 600 frame	U19	900 19" frame
E19	96 mod./900 19" frame	U23	900 23" frame
E23	144 mod./900 23" frame	UUS	900 19" frame
EUS	72 mod./900 19" frame		

Example : Elementary module for 900 mm frame



Accessories :

Code	Description
49656	Top protective cover kit for sub-rack module, delivered fitted
46354	Heat-shrink splice protection (Qty 12)
47865	Fusion splice protection of the mechanical type (Qty 12)

