

L.I.N.X. WTC1 Optical Splice Closure

- Re-enterable, Fully mechanical watertight system
- 4 Cable ports
- Up to 12 FO cables
- Standard or Straight Mid-span configuration



Application:

The LINX WTC Splice case product range is designated for enclosing buried, underground, and overhead cable splices.

The main functions are :

- to protect splices and bare fibers from the environment and unwanted handlers.

- to efficiently and easily store, manage and identify FO splices and fibers.

Description:

- Sealing system: Fully mechanical sealing system for reduced installation and re-entry time.

- The top shell, sealed with a gasket, can be easily installed and removed without special tools or torque control.

- Cable sealing devices based on a mechanical compression system : this enables components to be reused for future upgrades.

(No tape, glue, heatshrink tubes, or cable jacket preparation is needed).

Watertight closure for Optical Fibers

- Cabling configuration:
 - Standard
 - Straight Mid-span (All available for aerial, buried, duct, or wall mounted applications)

- Fiber management: Different fiber management solutions and configurations are available for loose tube, tight buffer or ribbon cable storage and management:
 - Standard splice cassettes
 - FiberArt

All configurations are modular and allow easy upgrades.

- Grounding :
 - Standard grounding assures electrical continuity between all cable ports (an external grounding plug is also available)

- Cable anchoring :
 - 3 points cable clamps for extremely high cable retention, or simplified 1 point anchoring systems are available.

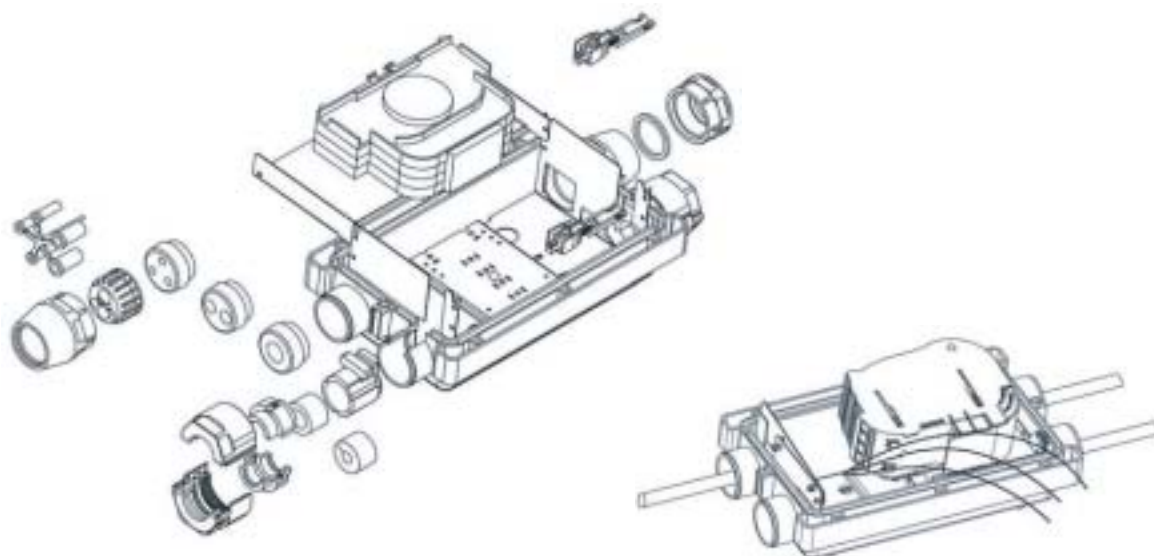
Dimensions:

A	390 mm
B	182 mm
C	124 mm
D	325 mm



Characteristics:

Characteristics	
Material:	Reinforced Thermoplastic closure shell
Maximum Splice capacity:	- Up to 60 Heat-shrink splice protections, organized in 5 splice cassettes - More than 160 splices using ribbon mass splice protection
Cable ports:	- Up to 144 splices organized in 12 splice cassettes (1 FiberArt module) - 4 Standard ports - 2 Standard port and 1 straight mid-span port
Cable diameters (standard ports)	- 1 cable (up to 19mm diameter) - 2 cables (from 8 to 13mm diameter) - 3 cables (from 2 to 5mm diameter)
Cabling configurations	- Straight splicing - Straight mid-span
Sealing system:	Top shell: mechanical sealing (8 screws – no torque control) Cable ports : mechanical sealing (elastomer compression system)
Splice supports	Heatshrink, ANT, ATI, Focs, 3M and mass splice protections



Accessories:

Code	Description
44655	Heat-shrink Fusion Splice Protection
46354	Heat-shrink Fusion Splice Protection (package of 12)
47865	ANT Mechanical Splice protection (package of 12)
43674	WTC1 aerial mounting system
43493	WTC1 wall mounting system
55441	WTC1 simplified wall mounting system
43650	WTC1 protection for buried applications, mid span version
43875	WTC1 protection for buried applications, in line version

