

L.I.N.X. WTC2 Optical Splice Closure

Watertight closure for Optical Fibers

- Fully mechanical watertight system
- 6 Cable ports
- Up to 18 FO cables
- Standard, Butt Mid-span or Straight Mid-span configuration

Application:

The LINX WTC Splice case product range is designed for enclosing buried, underground, and overhead cable splices.

The main functions are :

- to protect splices and bare fibers from the environment and unwanted handlers.

- to efficiently and easily store, manage and identify FO splices and fibers.



Description:

- Sealing system:
Fully mechanical sealing system for reduced installation and re-entry time.

- The top shell, sealed with a gasket, can be easily installed and removed without special tools or torque control.

- Cable sealing devices based on a mechanical compression system: this enables components to be re-used for future upgrades. (No tapes, glue, heatshrink tubes, or cable jacket preparation is needed).

- Cabling configuration:

- Standard

- Butt Mid-span

- Straight Mid-span (All available for aerial, buried, duct, or wall mounted applications)

- Fiber management:

Different fiber management solutions and configurations are available for loose tube, tight buffer or ribbon cable storage and management:

- Standard splice cassettes

- FiberArt

- Patching modules.

All configurations are modular and allow easy upgrades.

- Grounding :

- Standard grounding assures electrical continuity between all cable ports (an external grounding plug is also available)

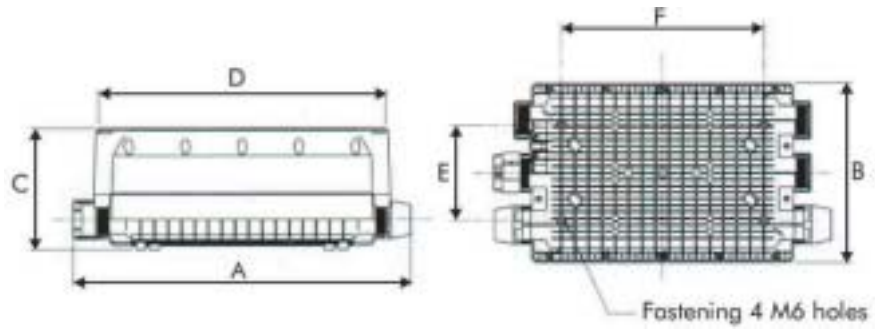
- Separate grounding for each cable (optional) allowed (up to 5 independent grounding plugs).

- Cable anchoring :

3 points cable clamps for extremely high cable retention, or simplified 1 point anchoring systems are available.

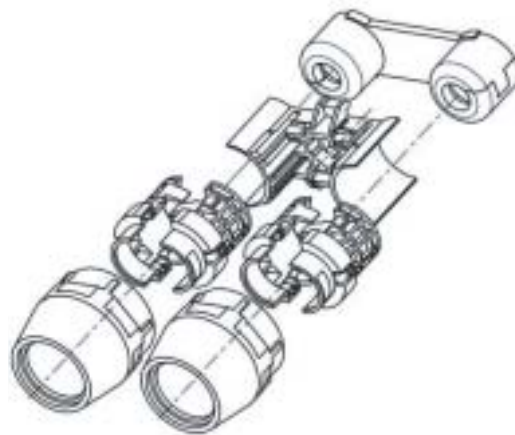
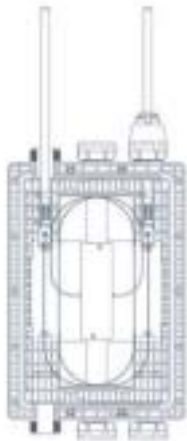
Dimensions:

A	500 mm
B	262 mm
C	179 mm
D	440 mm
E	154 mm
F	300 mm



Characteristics:

Characteristics	
Material:	Reinforced thermoplastic closure shell
Maximum Splice capacity:	<ul style="list-style-type: none"> - 336 Heat-shrink splice protections, organized in up to 7 splice trays - over 500 splices using ribbon mass splice protections - up to 288 splices organized in 24 splice trays (2 FiberArt modules) - 96 splices (2 trays) and up to 96 Small Form Factor connectors
Cable ports:	<ul style="list-style-type: none"> - 6 Standard ports - 4 Standard ports + a twin cable butt mid-span port - 4 Standard ports + 2 for a straight mid-span cable port
Cable diameters (standard ports)	<ul style="list-style-type: none"> -1 cable (up to 25mm diameter) -2 cables (from 8 to 13 mm diameter) -3 cables (from 2 to 5 mm diameter)
Cabling configurations	<ul style="list-style-type: none"> - Straight splicing - Butt mid-span - Straight mid-span
Sealing system:	<ul style="list-style-type: none"> - Top shell: mechanical sealing (screws – no torque control) - Cable ports: mechanical sealing (elasomer compression system)
Splice supports	Heatshrink, ANT, ATI, 3M, and mass splice protections



Accessories:

Code	Description	Code	Description
44655	Heat-shrink Fusion Splice Protection	47604	WTC 2 wall with brackets mounting system
46354	Heat-shrink Fusion Splice Protection (package of 12)	46560	WTC 2 wall mounting system
47865	ANT Mechanical Splice Protection (package of 12)	49355	WTC 2 protection for buried application (straight + mid span version)
48609	WTC 2 aerial mounting system		

